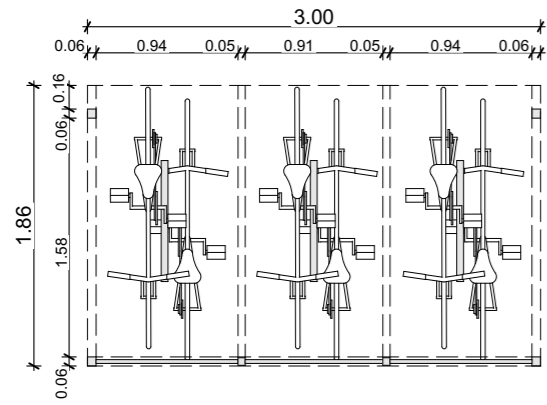
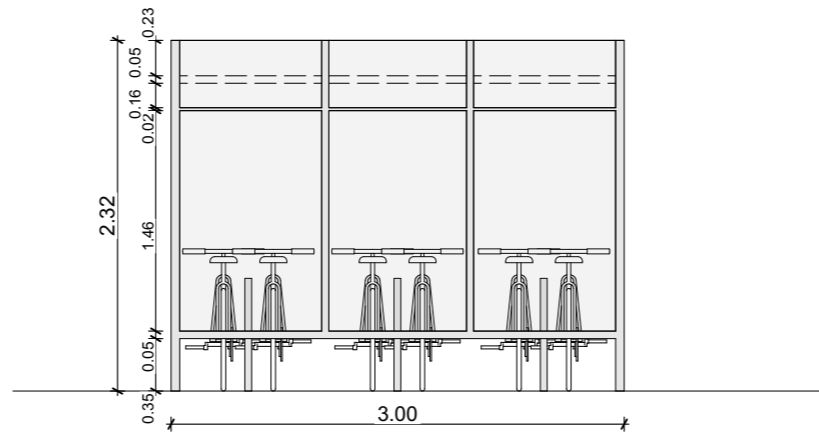


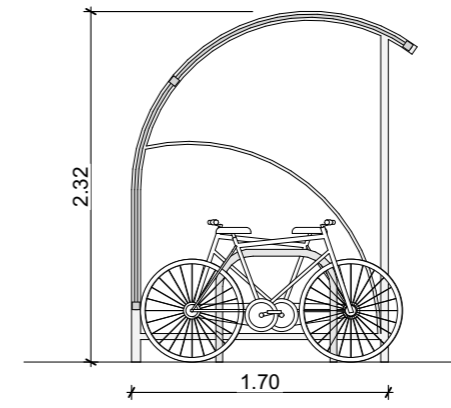
BICYCLE STORAGE TYPE C (6 Spaces per covered unit)



1:50 Plan

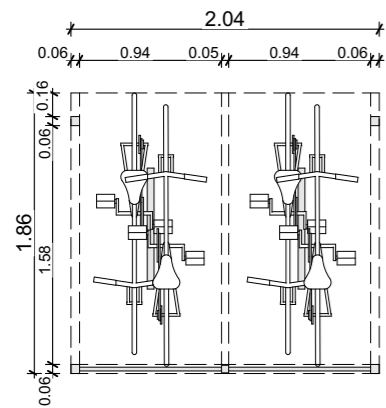


1:50 Elevation

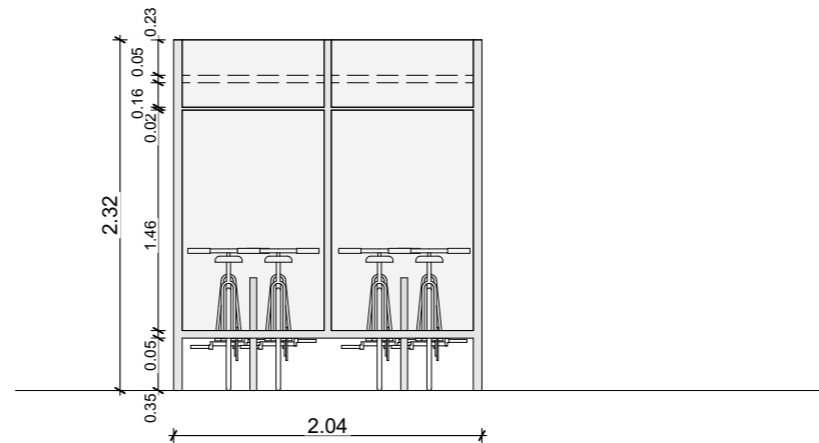


1:50 Section

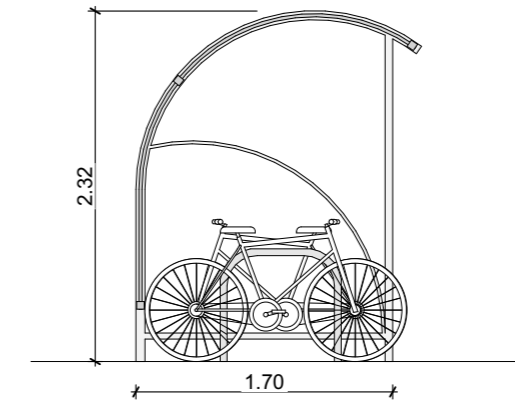
BICYCLE STORAGE TYPE D (4 Spaces per covered unit)



1:50 Plan

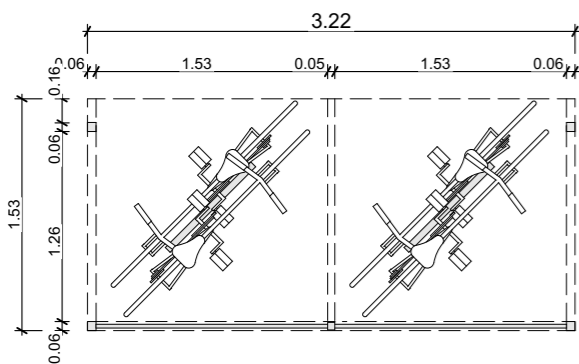


1:50 Elevation

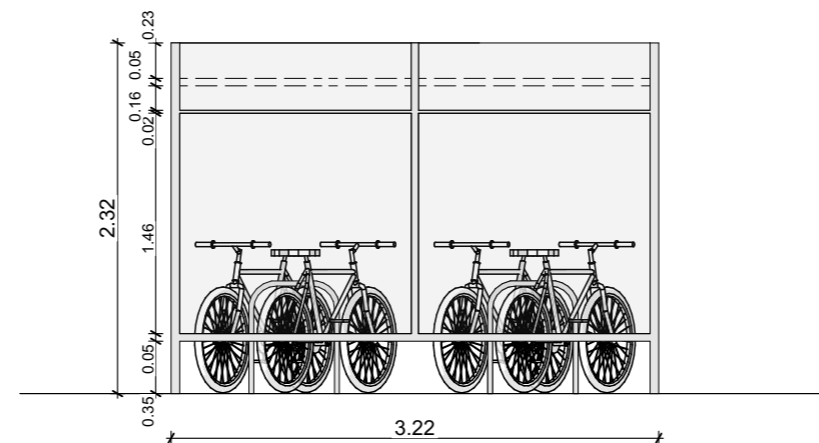


1:50 Section

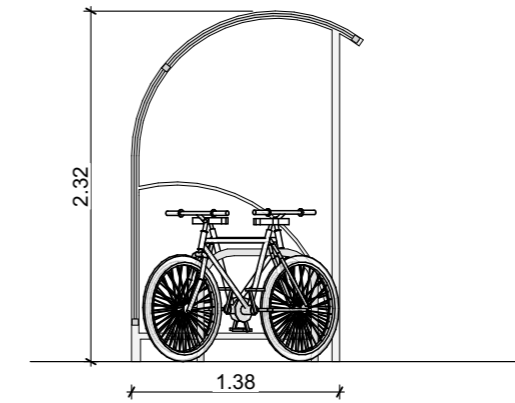
BICYCLE STORAGE TYPE Option



1:50 Plan



1:50 Plan



1:50 Plan

Bicycle Storage Type C & Type D.
Typically within curtilage of G1 Types
Bicycle Storage Type Option -
Bicycles at 45 degree angle (can be
applied to storage Types A to D)
Selected metal frame and
translucent roof covering.

FOR ORIENTATION AND HANDING
PLEASE REFER TO SITE PLAN



DAVEY SMITH
ARCHITECTS

13 THE SEAPORT BUILDING, 44-45 CLONTARF ROAD, DUBLIN 3
PH: 01 2447638 | EMAIL: info@davey-smith.com | WEB: www.davey-smith.com

Layout ID:	D2101 - BIC02	Scale:	1:50
Project:	Ashbourne SHD	Job No:	D2101
Drawing Name:	Bicycle Storage Type C, D & Option	Series:	Planning
		Date:	9/1/2022
		Status:	Planning